



Pressure transmitter datasheet



Brief description

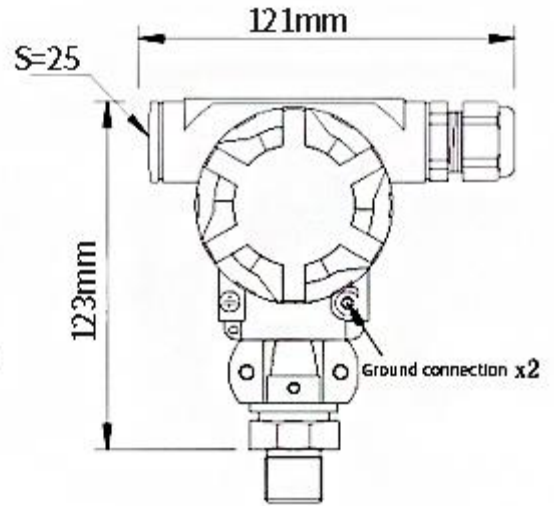
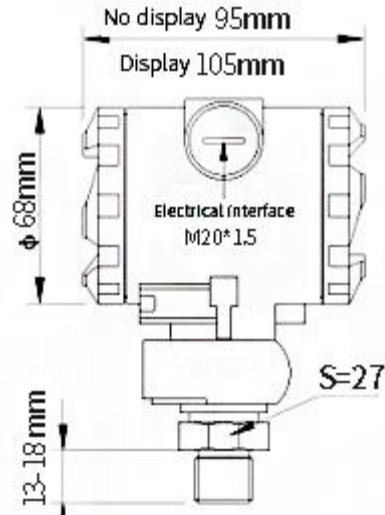
2088 series pressure transmitter pressure sensitive core adopts high performance silicon piezoresistive pressure filling core. The internal ASIC converts the sensor millivolt signal into standard voltage, current or frequency signal, which can be directly connected with computer interface card, control instrument, intelligent instrument or PLC. Current output mode can be used for distance transmission. It has small volume, light weight, all stainless steel sealing structure and can work in corrosive environment. The product is easy to install and has high anti-vibration and anti-impact performance. It is widely used in process control, aviation, aerospace, automobile, medical equipment, HVAC and other fields.

Product advantage

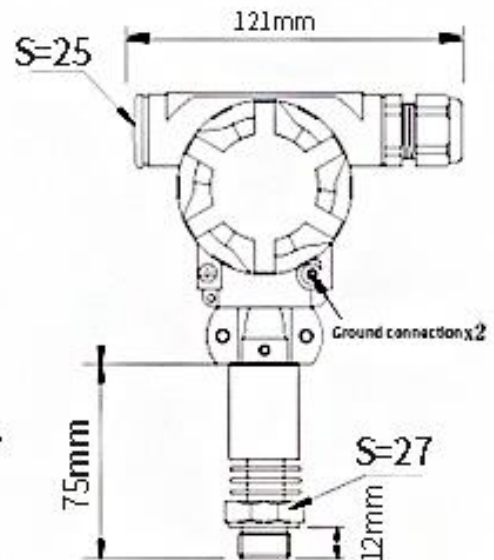
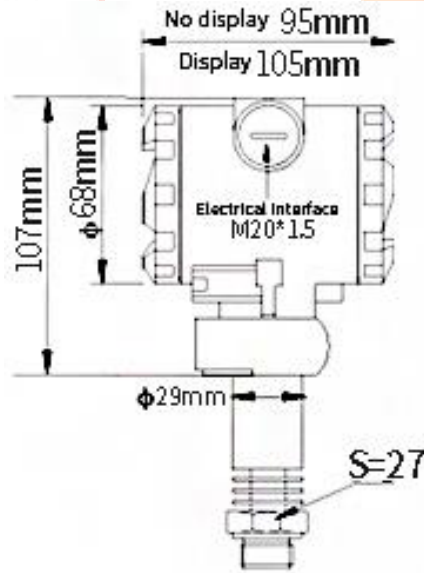
- 304 or 316L stainless steel isolation diaphragm structure
- Laser label printing
- High Precision , Isolation circuit board
- Microamplifier, output of voltage, current and RS485 signals
- Strong anti-interference and long-term stability
- Diversification of shape and structure
- Guarantee period: 12 months



Connection type



Standard type



High Temperature type



Mainly technical parameters

Model	2088
Power supply	24VDC
Output single	4~20mA、1~5V、0~10V、RS485
Measuring range	-0.1...0...100Mpa
Compensation temperature	-10~70°C (Standard) -10~400°C (High Temperature type)
Medium temperature	-40~80C
Environment temperature	-40~85C
Measuring media	Gaseous、Liquid、Water
Pressure type	Gauge pressure、Absolute pressure
Accuracy	0.1%F.S、0.25%F.S、0.5%F.S (standard)
Zero tempe drift	±0.03%F.S/C
Sensitivity temperature drift	±0.03%F.S/C
Overload	200%F.S
Long-term stability	≤0.2%F.S/year
Inherent frequency	5kHz~650kHz
Protection grade	IP66,FLP 2C.



Selection Table

Product Series							
2088							
Pressure Range							
Selection from the range attached list							
Pressure Type							
A:Absolute pressure、G:Gauge pressure							
Accuracy Level							
E1:0.1%F.S、 E2:0.25%F.S、 E3:0.5%F.S (standard)							
Display Form							
M0: No display、M1: Digital display 、M2: LCD display							
Installation mode							
A1:M20*1.5(thread)、A2:1/2 NPT、A3:G 1/2、A4:Others							
Connection type							
N1: Standard type、N2:High Temperature type							
Power Supply Mode							
D1:12-36VDC、D2:3V-5VDC							
Signal Output							
F1 : 4~20mA (2-wire) 、 F2 : 0-5V (3-wire) F3 : 0-10V (3-wire) 、 F4 : RS485 (4-wire) F5 : Others							
Sensor Type							
S1: SS316, S2: hastelloy c, S3:Tantalum,S4: Ceramic							
2088	A	E1	M0	A1	N1	D1	F1
Eg: 2088 -Absolute pressure-E1-M0-A1-N1-D1-F1-S1							

Selection of the range attached list

Ranges: 01:0-5kpa, 02:0-10kpa, 03:0-100kpa, 04:0-1Mpa, 05:0-1.6Mpa, 06:0-10Mpa, 07:0-20Mpa, 08:0-40Mpa, 09:0-60Mpa, 10:-100-0kpa, 11:-100-1000kpa, 12:Others



· Pressure transmitter



· Differential Pressure transmitter

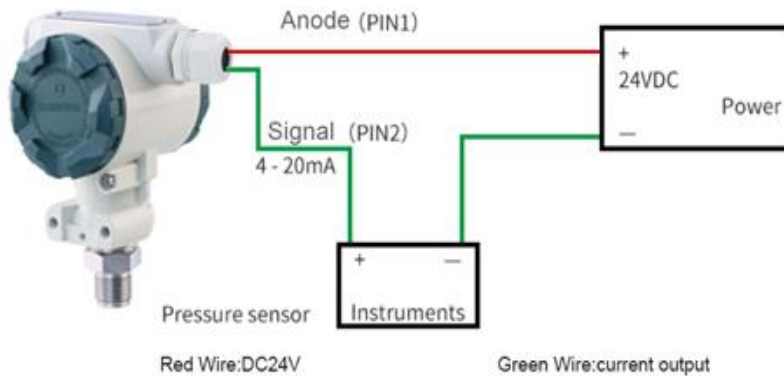


· Pressure gauge

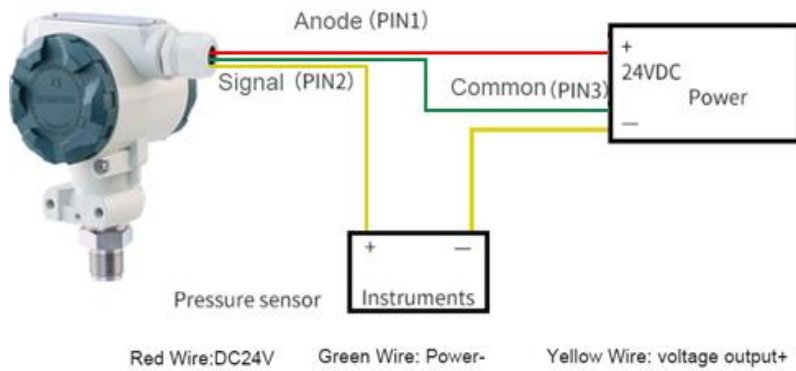




2-wire current output wiring diagram



3-wire voltage output wiring diagram



4-wire RS485 communication wiring diagram

